

TC-620X

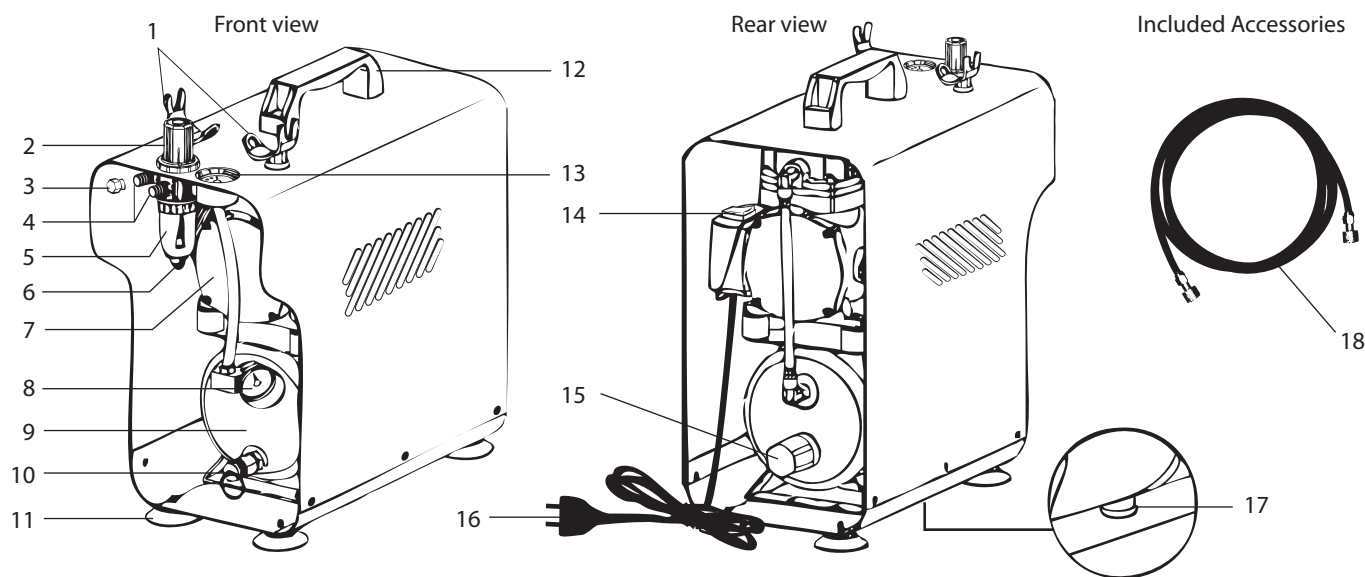
User's Manual

This manual contains important information on product safety, set-up, operation, and maintenance. For optimum performance and safety, read this manual carefully before using this product. Please keep this manual in a safe place for future reference.

IMPORTANT SAFETY INFORMATION

- When using electrical appliances, basic precautions should always be followed to reduce the risk of damage, fire, electric shock, personal injury or property damage.
- Before connecting the compressor to a power outlet, check if the voltage indicated on the compressor corresponds to the mains voltage (100-120 V or 220-240 V). Using the compressor with the wrong mains voltage could damage the unit, and could cause an electrical fire.
- Do not overload wall outlets, extension cords, or power strips beyond their capacity. This could cause a circuit breaker trip, insufficient voltage supply, or an electrical fire.
- To avoid electric shock, never operate the compressor outdoors when raining, or in wet conditions.
- Always place the compressor on a flat and stable surface.
- Always remain in attendance when the compressor is in operation.
- Never place objects against, or on top of, the compressor. Operate the compressor in an open area without any obstructions that would restrict the flow of fresh air into the compressor.
- Exceeding the pressure rating of pneumatic tools, such as airbrushes, spray guns, or air operated devices, could damage the tool and could also cause serious personal injury. Never exceed the maximum allowable pressure rating recommended by your pneumatic tool's manufacturer.
- Do not insert any foreign objects into the openings of the compressor.
- Do not disassemble the compressor or attempt to modify the compressor in any way.

Product Overview



Parts List			
1	Airbrush Holders (2)	10	Air Tank Safety Valve
2	Pressure Regulator Knob	11	Rubber Stands (4)
3	Outlet Cap	12	Handle
4	Air Outlets (2)	13	Pressure Gauge
5	Moisture Trap	14	On/Off Switch
6	Moisture Trap Drain Valve	15	Auto Stop Pressure Switch
7	Compressor Motor	16	Plug
8	Air Tank Pressure Gauge	17	Air Tank Drain Valve
9	Air Tank	18	Braided Air Hoses (2)

Specifications

Motor: 1/6 HP AC

Air flow: 23 - 32 l/min (0.81 - 1.14 cfm) at open flow

Auto on/ off: 2.8/ 4.1 bar (40/ 60 psi)

Dimensions: L33 x W18 x H34.5 cm

Weight: 10.4 kg / 23 lbs

TC-620X

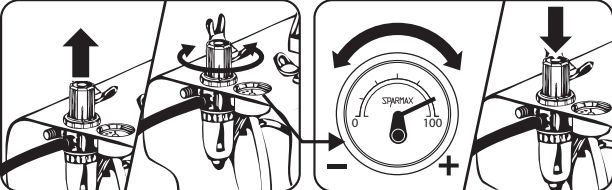
User's Manual

Product Set Up

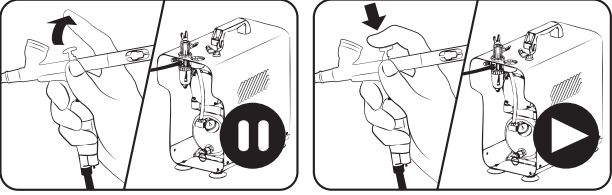
1. First use: Carefully unpack the unit, verify that all parts listed in the "Parts List" are present, and visually inspect for damage. If there are any signs of damage or if any parts are missing, do not use the product. Contact your retailer or supplier immediately.
2. Locate the compressor in a clean, dry, and well-ventilated area that has adequate air circulation.
3. The Pressure Regulator has two air outlets and therefore allows simultaneous attachment of two airbrushes. Attach your airbrush(es) or air gun to the Pressure Regulator air outlet(s) using the air hoses provided. Make sure all connections are tight. If you are only attaching a single airbrush/air gun, be sure to cover the un-used air outlet with the provided air outlet cap. NOTE: The air flow provided by this compressor should, under most conditions, be sufficient for simultaneous operation of two airbrushes. However, simultaneous operation of an air gun/airbrush that requires high air flow with another air gun / airbrush is not recommended. Also, different adaptors may be required for different airbrush or air gun brands and models. If your airbrush or air gun needs an adapter, please contact your local retailer or supplier.

Product Operation

1. Plug the compressor into a power outlet. Turn the compressor on by pressing the On/Off Switch.

2.  To adjust air pressure, pull up on the black Regulator Knob until you hear a "click." Turn the knob clockwise to increase air pressure ("+" sign), or counter-clockwise to decrease air pressure ("-" sign). When the desired pressure is reached, push down on the knob to lock it in place.
NOTE: Adjust pressure only when the compressor is turned on and connected to an airbrush/ air gun, with trigger/ handle depressed.

3. The Pressure Gauge connected to the Pressure Regulator/ Moisture Trap gives continuous, real-time readings of current air pressure delivery. The Air Tank Pressure Gauge provides readings of Air Tank pressure.
4. When condensation forms in the Moisture Trap, push on the Moisture Trap Drain Valve to release built-up moisture. Perform this operation as often as needed – with greater frequency the higher the humidity. SUGGESTION: When pushing on the drain valve, hold a paper towel under the drain to collect water released from the drain.

5.  With a dual-action airbrush attached, but not in use, the Auto Stop Pressure Switch automatically stops the compressor when the pressure reaches 60 psi, and will automatically re-start the compressor when the airbrush trigger is pushed down and the pressure drops to 40 psi. Do not attempt to remove the Auto Stop Pressure Switch. In the rare instance that the switch malfunctions, do not allow the compressor to operate above 80 psi, and run the compressor continuously no more than 30 minutes.

6. Air Tank Maintenance: Drain the Air Tank of air and condensation after every use, or, for frequent users, at least once daily. To drain the Air Tank: (1) Turn off the compressor. (2) Reach under the Air Tank and open the Air Tank Drain Valve. (3) Close the Air Tank Drain Valve when the Air Tank Pressure Gauge reaches 0 psi. NOTE: The Air Tank is equipped with an Air Tank Safety Valve which will not allow tank pressure to exceed 100 psi.
7. Do not touch any exposed metal parts on the compressor during, or immediately after, operation. The compressor will remain hot for several minutes after operation.
8. It is recommended that the compressor run continuously for no more than one hour with the auto stop in action. After one hour of continuous operation, use the On/Off Switch to turn off the unit. Allow the unit to cool for 10 to 15 minutes before turning the compressor back on.
9. The compressor has a thermal safety switch which automatically ceases compressor operation when the compressor becomes too hot. If this happens, use the On/Off Switch to turn off the compressor. Allow the unit to cool for 10 to 15 minutes before turning the compressor back on.
10. After each use, make sure the unit is turned off and unplugged. Also be sure to release any remaining air from the compressor by depressing the airbrush trigger.

Troubleshooting

If airflow is not sufficient ...

- Check for air leaks where air can be heard escaping, or apply a soap and water solution on all connections. Resulting bubbles indicate an air leak. Tighten fittings where necessary.
- PTFE seal tape is recommended for all threaded connections.
- Replace the Air Hose if the hose is torn or damaged.

If compressor shuts off frequently, the motor fails to come up to full speed or becomes hotter than usual during operation ...

- Disconnect other appliances that are using the same power outlet.
- Avoid using extension cords.

If problems arise which you cannot solve with the information provided above, please contact your retailer or supplier for assistance. Do not attempt to fix the device yourself. Improper operation and/or dismantling of the device may damage the compressor. If any parts/accessories are damaged, please contact your retailer or supplier for replacement or repair.