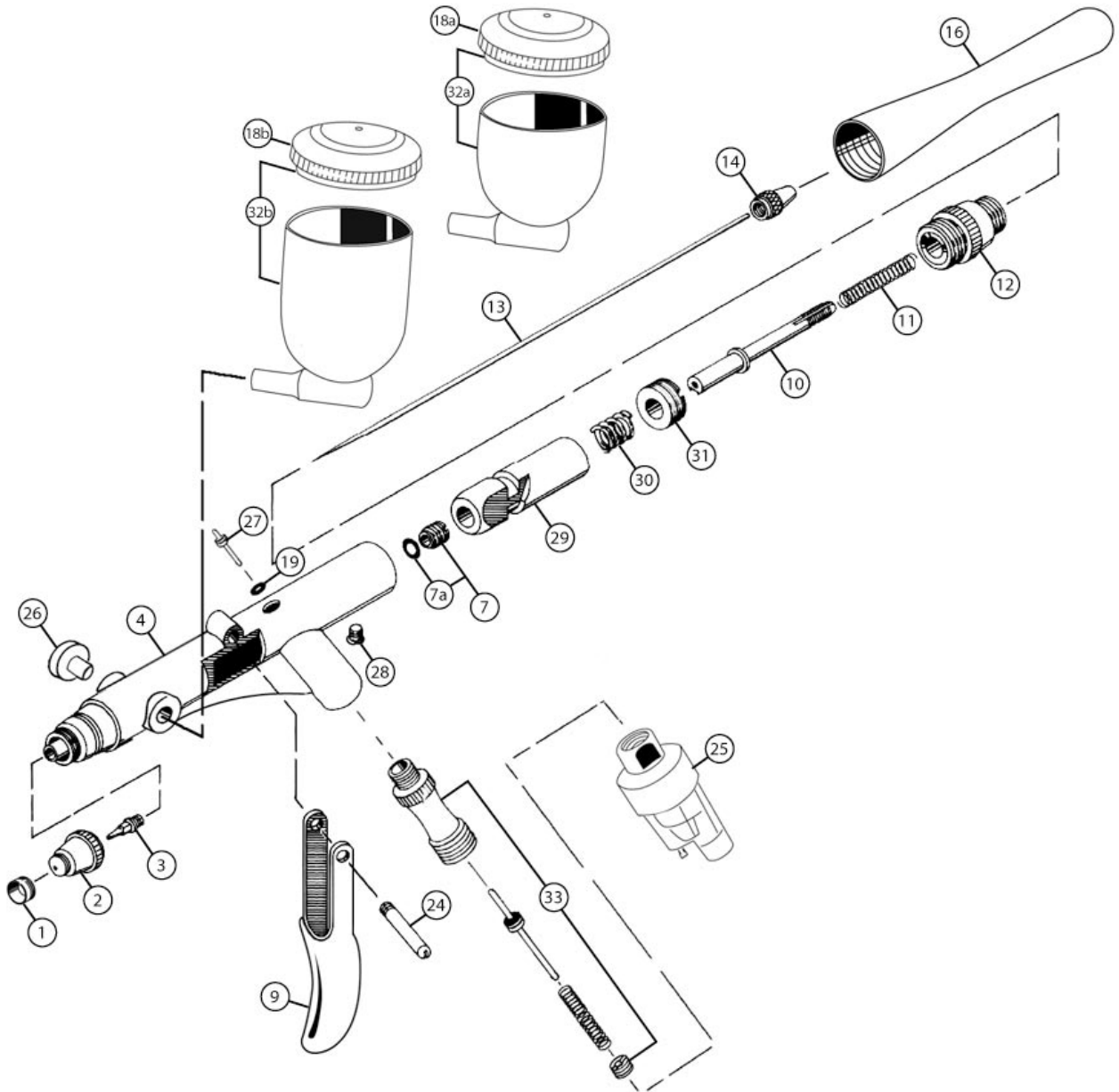


# IWATA Revolution TR1 and TR2 PARTS



#	ITEM DESCRIPTION	PRICE CODE	ITEM #	HP-TR1	HP-TR2	ALSO FITS
1	Needle Cap 0.30mm Needle Cap 0.50mm		I 701 3 I 701 1	● Opt	Opt ●	BCR, CR, SAR
2	Nozzle Cap 0.30mm Nozzle Cap 0.50mm		I 702 2 I 702 1	● Opt	Opt ●	AR, BR BCR, CR, SAR
3	Nozzle 0.30mm Nozzle 0.50mm		I 704 2 I 704 1	● Opt	Opt ●	
4	Body Body		I 706 6 I 706 7	● ●	● ●	
7	Teflon Needle Packing Set 2pcs.		I 725 2	●	●	
7a	Needle Packing		I 150 2	●	●	
19	Valve Packing (O-Ring)		I 145 1	●	●	HP, HP+, Hi-Line
33	Air Valve Set 2pcs.		I 712 1	●	●	
27	Valve Piston		I 713 1	●	●	
8	Trigger		I 714 1	●	●	
10	Needle Chucking Guide		I 715 2	●	●	
11	Needle Spring		I 770 3	●	●	
12	Spring Guide		I 770 2	●	●	

#	ITEM DESCRIPTION	PRICE CODE	ITEM #	HP-TR1	HP-TR2	ALSO FITS
13	Needle 0.30mm Needle 0.50mm		I 717 4 I 717 5	● Opt	Opt ●	
14	Needle Chucking Nut		I 120 2	●	●	All
16	Handle		I 719 2	●	●	SAR
18a	Cup Lid		I 718 1	●		CR, CS, C, C+, CH, CM-C
18b	Cup Lid		I 718 2		●	
32a	Gravity Side Cup 1/3 oz.		I 720 1	●		SBS, SB, SB+, CM-SB
32b	Gravity Side Cup 1/2 oz.		I 070 6		●	SBS, SB, SB+, CM-SB
26	Blanking Cover		I 045 2	●	●	SBS, SB, SB+, CM-SB
	Spanner		I 165 1	●	●	
29	Slide Cam		I 730 1	●	●	
30	Slide Cam Spring		I 730 2	●	●	
31	Main Body Ring		I 731 1	●	●	
28	Main Body Ring Screw		I 731 2	●	●	
24	Trigger Screw		I 714 2	●	●	
25	Pistol-Grip Filter		F A450	●	●	All