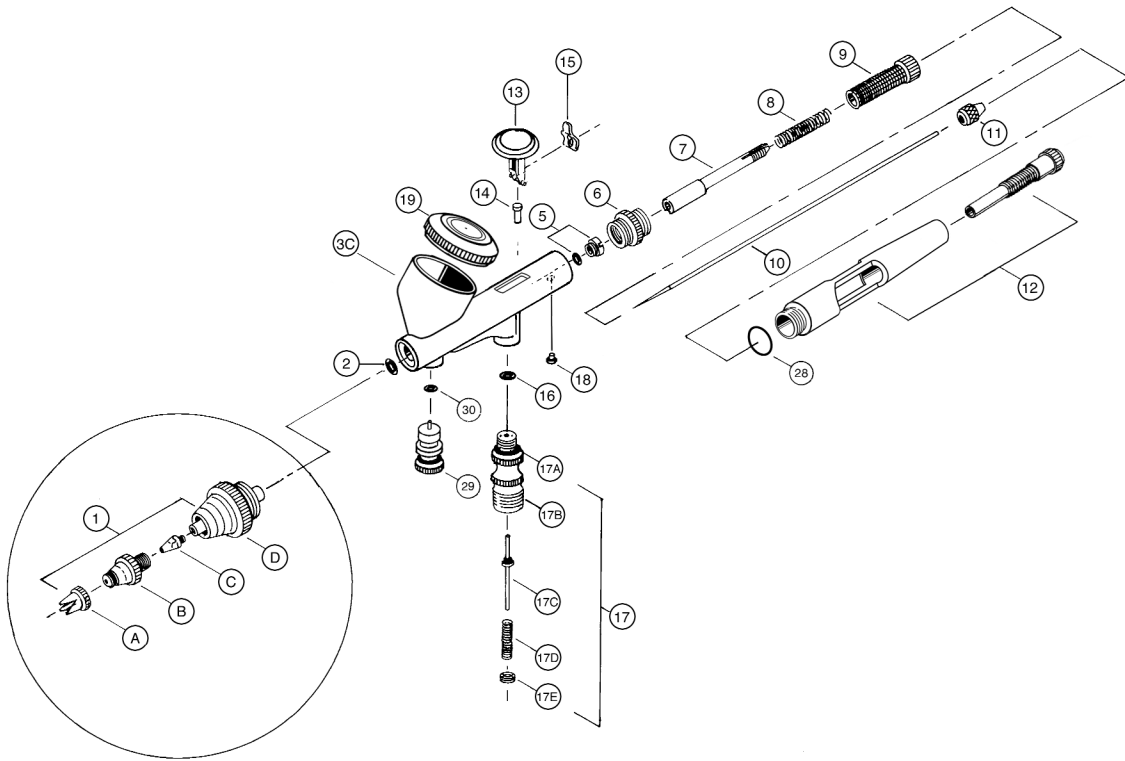


IWATA CUSTOM MICRON C Plus PARTS



#	ITEM DESCRIPTION	PRICE CODE	ITEM #	CM B	CM SB	CM C	CM C+
14	Air Piston	B	I 500 1	1	1	1	1
17C	Air Valve	C	I 505 1	1	1	1	1
17	Air Valve Set	H	I 510 1	1	1	1	1
17B	Air Valve Body	F	I 510 2	1	1	1	1
17E	Air Valve Guide	B	I 510 3	1	1	1	1
17D	Air Valve Spring	B	I 510 4	1	1	1	1
15	Auxiliary Lever	B	I 515 1	1	1	1	1
3C	Body - C	O	I 525 6				1
1	Fluid Head System 0.18 mm 0.23 mm	L	I 535 1	1	1	Opt	Opt
		L	I 535 2	Opt	Opt	1	1
1D	Fluid Head Nozzle Base	J	I 535 1A	1	1	1	1
1C	Fluid Head-Nozzle 0.18 mm 0.23 mm	H	I 535 1B	1	1	Opt	Opt
		H	I 535 2B	Opt	Opt	1	1
1B	Fluid Head-Nozzle Cap	D	I 535 1C	1	1	Opt	Opt
		D	I 535 2C	Opt	Opt	1	1
1A	Fluid Head-Needle Crown Cap	D	I 535 1D	1	1	1	1
10	Fluid Needle 0.18 mm 0.23 mm	E	I 540 1	1	1	Opt	Opt
		E	I 540 2	Opt	Opt	1	1
29	Micro Air Control Valve	D	I 190 1				1
13	Main Lever	F	I 545 1	1	1	1	1
7	Needle Chucking Guide	E	I 550 1	1	1	1	1
18	Needle Chucking Guide Screw	B	I 555 1	1	1	1	1
11	Needle Chucking Nut	B	I 560 1	1	1	1	1
8	Needle Spring	B	I 570 1	1	1	1	1

#	ITEM DESCRIPTION	PRICE CODE	ITEM #	CM B	CM SB	CM C	CM C+
9	Needle Spring Adjuster	E	I 575 1	1	1	1	1
16	Packing Air Piston (O-ring)	B	I 580 1	1	1	1	1
2	Packing Fluid Head (O-ring)	C	I 580 2	1	1	1	1
5	Packing Fluid Needle SET (Teflon™)			Opt	Opt	Opt	
30	Packing Mac Valve (O-ring)	A	I 190 2				1
12	Pre-set Handle (Single Cut) Pre-set Handle	H H		Opt 1	Opt 1	Opt 1	1 Opt
28	Packing Handle (O-ring)	A	I 605 1				1
	Spanner (nozzle wrench)	B	I 165 1	1	1	1	1
6	Spring Guide	E	I 590 1	1	1	1	1
	Quick Fit Set (quick disconnect that screws onto the airhose and an adaptor that screws onto the airbrush)		I 160 3	Opt	Opt	Opt	Opt
	Quick Fit Adaptor (adaptor that screws onto the airbrush)		I 160 4	Opt	Opt	Opt	Opt
	Airhose Adaptor (Iwata airbrushes to Paasche airhose)		J 001	Opt	Opt	Opt	Opt
	Airhose Adaptor (Iwata airbrushes to T & C/Badger airhoses)		J 002	Opt	Opt	Opt	Opt