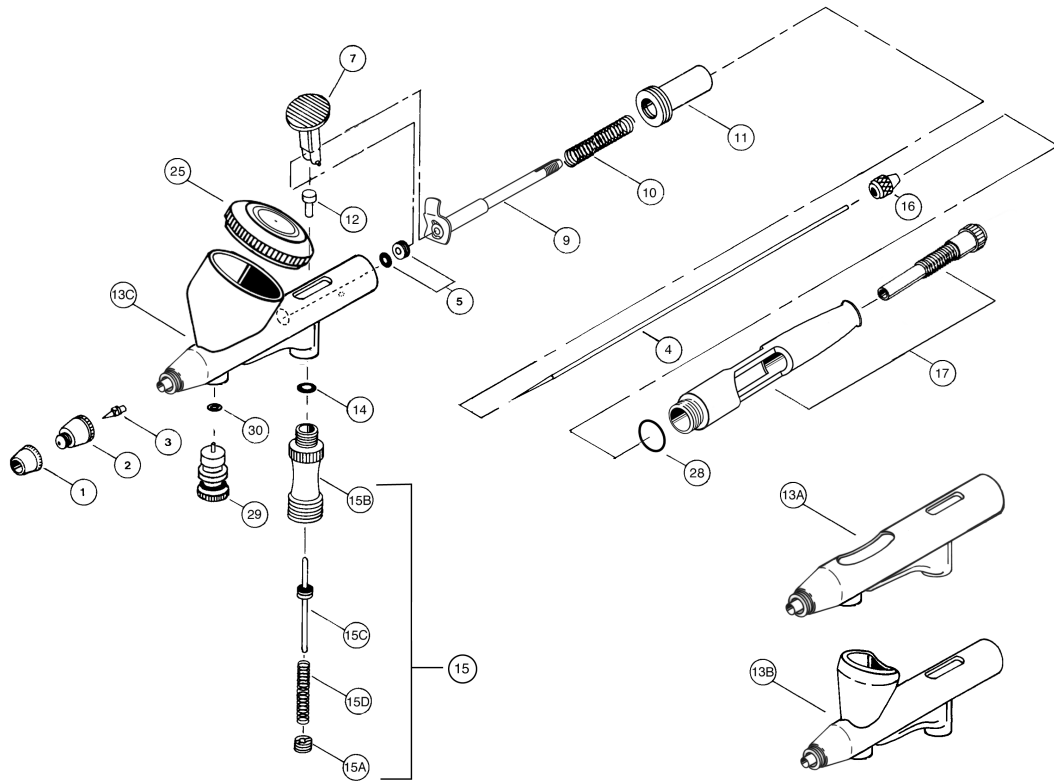


# IWATA HI-LINE A, B & C PARTS



#	ITEM DESCRIPTION	PRICE CODE	ITEM #	HP AH	HP BH	HP CH	also fits
1	Needle Cap	B	I 110 1	1	1		HP-A/+
		B	I 110 2			1	HP-C/+
2	Nozzle Cap	D	I 140 7	1	1	Opt	
		D	I 140 3	Opt	Opt	1	HP-C/+
3	Fluid Nozzle 0.20 mm 0.30 mm	G	I 080 7	1	1	Opt	HP+
		G	I 080 8	Opt	Opt	1	HP+
4	Fluid Needle 0.20 mm 0.30 mm	C	I 075 1	1	1	Opt	HP-A/+
		C	I 075 3	Opt	Opt	1	HP-C/+
5	Needle Packing Screw w/Teflon™ needle packing	B	I 125 7	1	1		
		B	I 725 1			1	REV
7	Main Lever	D	I 100 2	1	1	1	HP-C/+
9	Needle Chucking Guide w/auxiliary lever	C	I 115 7	1	1		
		C	I 715 1			1	REV
10	Needle Spring	A	I 135 2	1	1		HP-A/+
		A	I 135 1			1	ECL/REV
11	Spring Guide	A	I 770 1	1	1	1	REV
12	Valve Piston	A	I 175 1	1	1	1	HP-A/+
13A 13B 13C	Body - A Body - B Body - C			1			
					1		
14	Packing Valve Piston (O-ring)	A	I 145 1	1	1	1	HP/+
15	Air Valve Set	G	I 030 1	1	1		HP-A/+
		G	I 030 4			1	HP-C/+
15A	Air Valve Guide	A	I 025 1	1	1	1	HP/+
15B	Air Valve Body	D	I 020 1	1	1	1	HP/+
15C	Air Valve	B	I 015 1	1	1		HP-A/+
		B	I 015 4			1	HP-C/+
15D	Air Valve Spring	A	I 035 1	1	1	1	HP/+

#	ITEM DESCRIPTION	PRICE CODE	ITEM #	HP AH	HP BH	HP CH	CM C+
16	Needle Chucking Nut	A	I 120 1	1	1	1	HP/+
17	Pre-Set Handle Set	G	I 155 6	1	1	1	
25	Fluid Cup Lid	C	I 618 1			1	HP-C/+
28	Packing Handle (O-ring)	A	I 605 1	1	1	1	CM-C+
29	Micro Air Control Valve	D	I 190 1	1	1	1	CM-C+
30	Packing Mac Valve (O-ring)	A	I 190 2	1	1	1	CM-C+
	Spanner (nozzle wrench)	A	I 165 1	1	1	1	HP/+
	Quick Fit Set (quick disconnect that screws onto the airhose and an adaptor that screws onto the airbrush)		I 160 3	Opt	Opt	Opt	
	Quick Fit Adaptor (adaptor that screws onto the airbrush)		I 160 4	Opt	Opt	Opt	
	Adaptor (Iwata airbrushes to Paasche airhose)		J 001	Opt	Opt	Opt	
	Adaptor (Iwata airbrushes to T & C/Badger airhoses)		J 002	Opt	Opt	Opt	