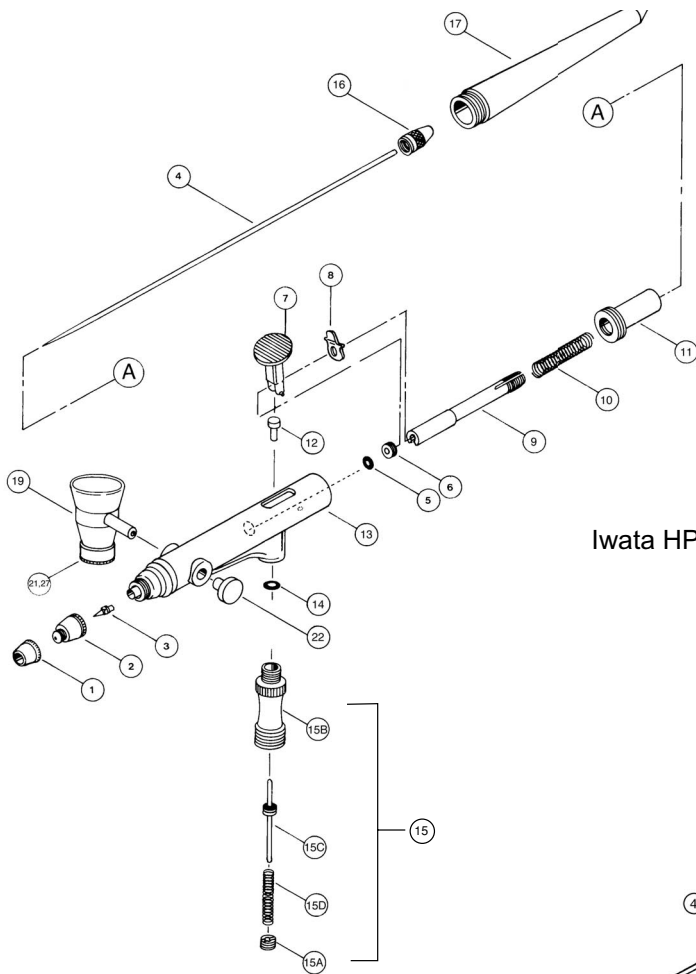
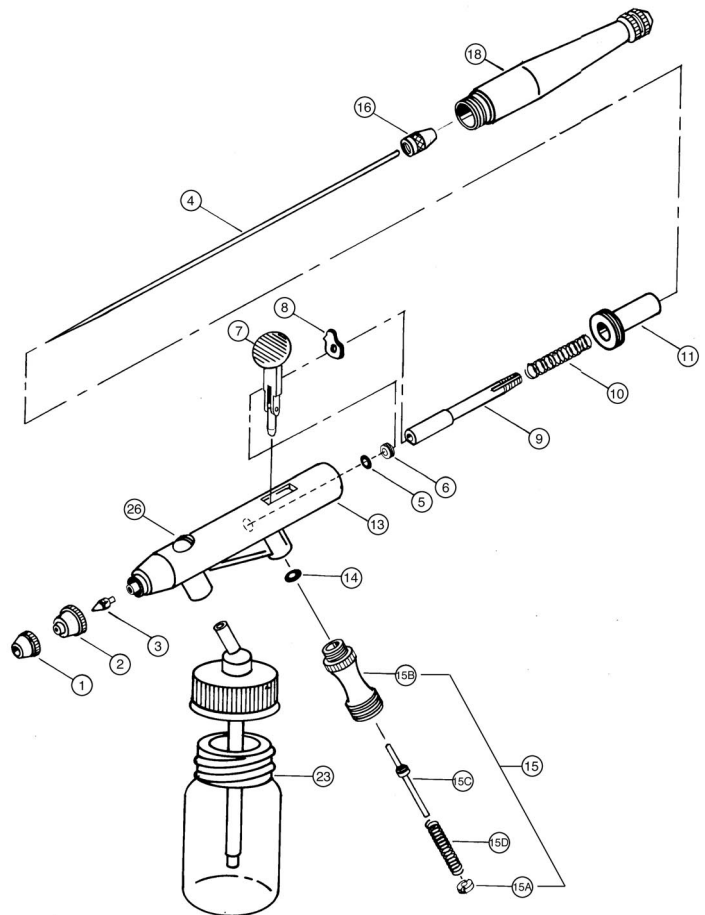


IWATA HP - A, B, SB, C, BC, BC2 PARTS



Iwata HP-A, B, SB and C



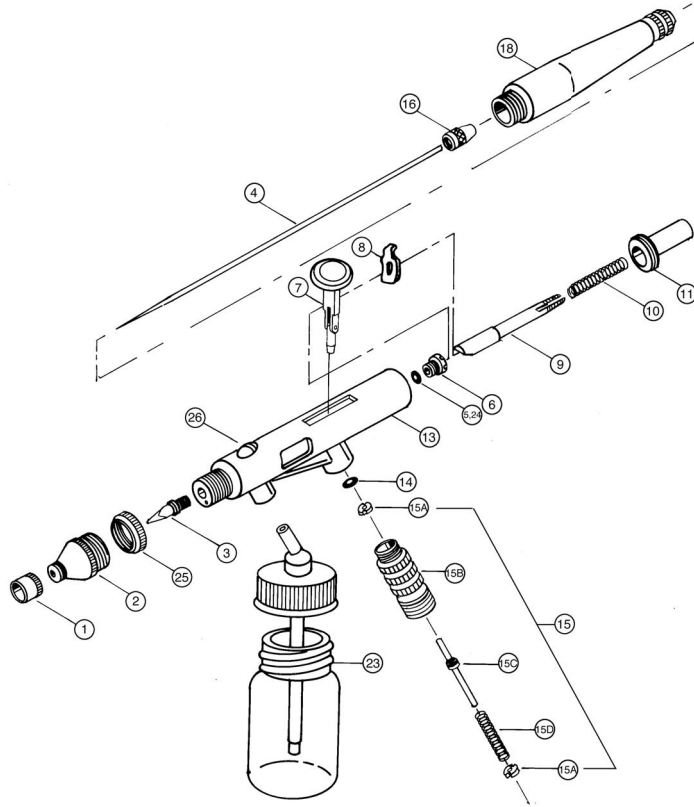
Iwata HP-BC and BC2

IWATA HP - A, B, SB, C, BC, BC2 PARTS

| # | ITEM DESCRIPTION | PRICE CODE | ITEM # | HP A | HP B | HP SB | HP C | HP BC | HP BC2 |
|-----|---|------------|--------------------|------|------|-------|------|-------|--------|
| 15C | Air Valve | B | I 015 1 | • | • | • | | | |
| | | B | I 015 4 | | | | • | • | • |
| 15B | Air Valve Body | D | I 020 1 | • | • | • | • | • | • |
| 15A | Air Valve Guide | A | I 025 1 | • | • | • | • | • | • |
| 15 | Air Valve Set | G | I 030 1 | • | • | • | | | |
| | | G | I 030 4 | | | | • | • | • |
| 15D | Air Valve Spring | A | I 035 1 | • | • | • | • | • | • |
| 8 | Auxiliary Lever | A | I 040 1 | • | • | • | | | |
| | | A | I 040 4 | | | | • | | |
| | | A | I 040 5 | | | | | • | • |
| 26 | Blanking Screw | B | I 045 1 | | | | | • | • |
| 22 | Blanking Cover | A | I 045 2 | | | • | | | |
| 13 | Body | L | I 050 1 | • | | | | | |
| | | L | I 050 2 | | • | | | | |
| | | L | I 050 3 | | | • | | | |
| | | L | I 050 4 | | | | • | | |
| | | N | I 050 5 | | | | | • | • |
| 4 | Fluid Needle 0.2 mm 0.2 mm 0.3 mm 0.4 mm | C | I 075 1 | • | | | | | |
| | | C | I 075 2 | | • | • | | | |
| | | C | I 075 3 | | | | • | • | Opt |
| | | C | I 075 4 | | | | Opt | Opt | • |
| 3 | Fluid Nozzle 0.2 mm 0.2 mm 0.3 mm 0.4 mm | G | I 080 1 | • | | | | | |
| | | G | I 080 2 | | • | • | | | |
| | | G | I 080 3 | | | | • | • | Opt |
| | | G | I 080 4 | | | | Opt | Opt | • |
| | 0.2 mm 0.3 mm | G G | I 085 2 I 085 3 | | | | Opt | Opt | Opt |
| 17 | Handle | E | I 090 1 | • | • | • | | | |
| | | E | I 090 2 | | | | • | | |
| 7 | Main Lever Main Lever/Piston | D | I 100 1 | • | • | • | | | |
| | | D | I 100 2 | | | | • | | |
| | | G | I 100 3 | | | | | • | • |
| 1 | Needle Cap | B | I 110 1 | • | • | • | | | |
| | | B | I 110 2 | | | | • | • | • |
| 9 | Needle Chucking Guide | C | I 115 1 | • | • | • | | | |
| | | C | I 115 2 | | | | • | • | • |
| 16 | Needle Chucking Nut | A | I 120 1 | • | • | • | | | |
| | | A | I 120 2 | | | | • | • | • |
| 6 | Needle Packing Screw | A | I 125 1 | • | • | • | • | • | • |
| 10 | Needle Spring | A | I 135 2 | • | • | • | | | |
| | | A | I 135 3 | | | | • | • | • |

| # | ITEM DESCRIPTION | PRICE CODE | ITEM # | HP A | HP B | HP SB | HP C | HP BC | HP BC2 |
|----|--|------------|---------|------|------|-------|------|-------|--------|
| 2 | Nozzle Cap 0.2mm 0.2mm 0.3mm 0.4mm | D | I 140 1 | • | | | | | |
| | | D | I 140 2 | | • | • | | | |
| | | D | I 140 3 | | | | • | • | Opt |
| | | D | I 140 4 | | | | Opt | Opt | • |
| 14 | Packing Air Piston (O-ring) | A | I 145 1 | • | • | • | • | • | • |
| 5 | Packing Fluid Needle (O-ring) | A | I 150 1 | • | • | • | | | |
| | | A | I 150 2 | | | | • | • | • |
| | Spanner | A | I 165 1 | • | • | • | • | • | • |
| 11 | Spring Guide | C | I 170 1 | • | • | • | | | |
| | | C | I 170 2 | | | | • | • | • |
| 12 | Valve Piston | A | I 175 1 | • | • | • | • | | |
| | Conversion Kit (Converts 0.3mm HP- C & HP- BC to 0.4mm size nozzle - 4 piece conversion) | I | I 195 1 | | | | • | • | |
| 18 | Pre Set Handle | G | I 155 1 | Opt | Opt | Opt | | | |
| | | G | I 155 2 | | | | Opt | • | • |
| | Crown Cap | D | I 105 0 | Opt | Opt | Opt | Opt | Opt | Opt |
| | Quick Disconnect Set | H | I 160 1 | Opt | Opt | Opt | Opt | Opt | Opt |
| | Quick Disconnect Adaptor | C | I 160 2 | Opt | Opt | Opt | Opt | Opt | Opt |
| | Adaptor (Iwata airbrushes to Paasche airhose) | B | J 001 | Opt | Opt | Opt | Opt | Opt | Opt |
| | Adaptor (Iwata airbrushes to T & C/Badger airhoses) | B | J 002 | Opt | Opt | Opt | Opt | Opt | Opt |
| 23 | Glass Bottles 3/4 oz. 1 1/2 oz. | G | I 405 2 | | | | | • | • |
| | | G | I 420 2 | | | | | Opt | Opt |
| | Fluid Cup side cup 1/8 oz. side cup w/lid 1/4 oz. right side 1/2 oz. left side 1/2 oz. | G | I 070 3 | | | • | | | |
| | | G | I 070 4 | | | Opt | | | |
| | | F | I 070 1 | | | | | Opt | Opt |
| | | F | I 070 2 | | | | | Opt | Opt |
| 25 | Lid | C | I 095 4 | | | | • | | |
| | | C | I 095 7 | | | • | | | |
| 21 | Lid lower 1/8, 1/4 oz. | B | I 095 6 | | | • | | | |
| 27 | Packing Lower Lid (gasket) | A | I 150 5 | | | • | | | |

IWATA HP - BE1, BE2, E1, E1 PARTS



| # | ITEM DESCRIPTION | PRICE CODE | ITEM # | HP BE1 | HP BE2 | HP E1 | HP E2 |
|-----|-------------------------------|------------------|--|--------|--------|-------|-------|
| | Adjusting Screw | A | I 005 2 | | | • | • |
| 15C | Air Valve | D | I 015 2 | • | • | • | • |
| 15B | Air Valve Body | F | I 020 2 | • | • | • | • |
| 15A | Air Valve Guide | B | I 025 2 | • | • | • | • |
| 15 | Air Valve Set | H | I 030 2 | • | • | • | • |
| 15D | Air Valve Spring | A | I 035 2 | • | • | • | • |
| 8 | Auxiliary Lever | A | I 040 2 | • | • | • | • |
| 26 | Blanking Screw | B | I 045 1 | • | • | | |
| 13 | Body | N N O O | I 050 6 I 050 7 I 050 8 I 050 9 | | | • | • |
| 4 | Fluid Needle 0.6 mm 0.8 mm | D D | I 075 5 I 075 6 | • | • | • | • |
| 3 | Fluid Nozzle | G G | I 080 5 I 080 6 | • | • | • | • |
| | Handle | F | I 090 3 | | | • | • |
| 7 | Main Lever | G G | I 100 4 I 100 5 | • | • | • | • |
| 1 | Needle Cap | C C | I 110 3 I 110 4 | • | • | • | • |
| 9 | Needle Chucking Guide | E E | I 115 3 I 115 4 | • | • | • | • |
| 16 | Needle Chucking Nut | A | I 120 3 | • | • | • | • |
| 6 | Needle Packing Screw | D D | I 125 2 I 125 4 | • | • | • | |
| 6 | Needle Packing Set | E | I 125 3 | | | | • |

| # | ITEM DESCRIPTION | PRICE CODE | ITEM # | HP BE1 | HP BE2 | HP E1 | HP E2 |
|----|---|------------|--------------------|--------|--------|-------|-------|
| 24 | Needle Seat | A | I 130 1 | • | • | • | |
| 10 | Needle Spring | A A | I 135 4 I 135 5 | • | • | • | • |
| 2 | Nozzle Cap | G G | I 140 5 I 140 6 | • | • | • | • |
| 14 | Packing Air Piston (O-ring) | A | I 145 2 | • | • | • | • |
| 5 | Packing Fluid Needle (O-ring) | B | I 150 3 | • | • | • | |
| | Spanner | B | I 165 2 | • | • | | |
| 11 | Spring Guide | D | I 170 3 | • | • | | |
| | Valve Piston | A | I 175 2 | | | • | • |
| 25 | Washer | D D | I 180 1 I 180 2 | • | • | • | • |
| 18 | Pre Set Handle | G | I 155 3 | • | • | | |
| | Quick Disconnect Set | H | I 160 1 | Opt | Opt | Opt | Opt |
| | Quick Disconnect Adaptor | C | I 160 2 | Opt | Opt | Opt | Opt |
| | Adaptor (Iwata airbrushes to Paasche airhose) | B | J 001 | Opt | Opt | Opt | Opt |
| | Adaptor (Iwata airbrushes to T & C/Badger airhoses) | B | J 002 | Opt | Opt | Opt | Opt |
| 23 | Glass Bottles 3/4 oz. 1 1/2 oz. | G G | I 405 2 I 420 2 | Opt | Opt | | |