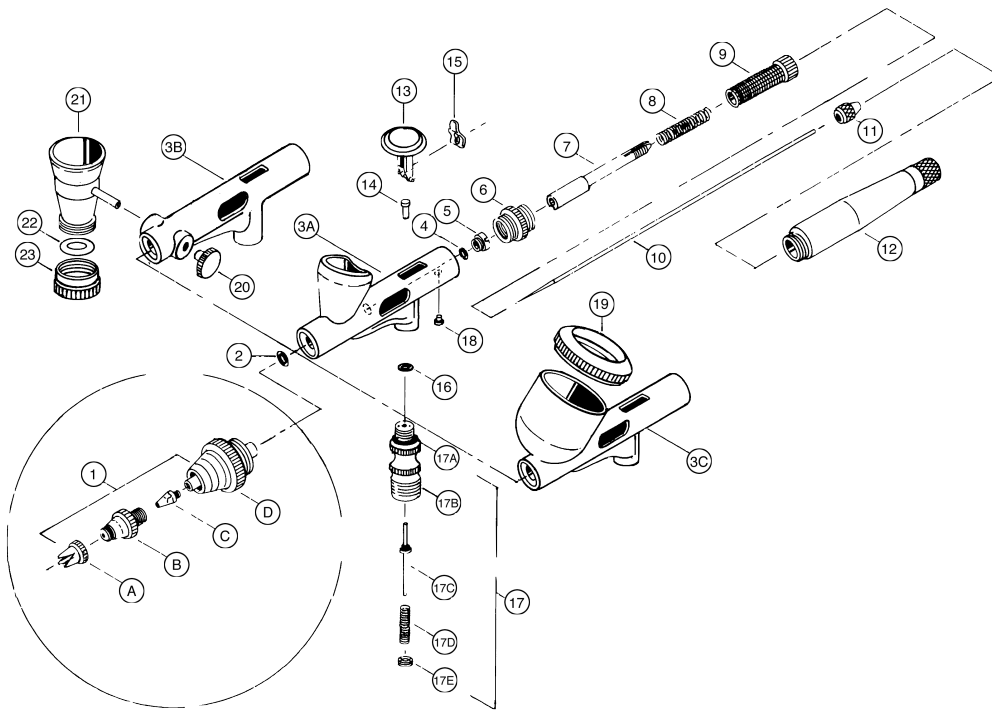


# IWATA CUSTOM MICRON B, SB & C PARTS



#	ITEM DESCRIPTION	PRICE CODE	ITEM #	CM B	CM SB	CM C	CM C+
14	Air Piston	B	I 500 1	1	1	1	1
17C	Air Valve	C	I 505 1	1	1	1	1
17	Air Valve Set	H	I 510 1	1	1	1	1
17B	Air Valve Body	F	I 510 2	1	1	1	1
17E	Air Valve Guide	B	I 510 3	1	1	1	1
17D	Air Valve Spring	B	I 510 4	1	1	1	1
15	Auxiliary Lever	B	I 515 1	1	1	1	1
20	Blanking Cover	B	I 045 2		1		
3A	Body - B	O	I 525 1	1			
3B	Body - SB	O	I 525 2		1		
3C	Body - C	O	I 525 3			1	
19	Fluid Cup Lid	E	I 530 1			1	Opt
1	Fluid Head Sys. 0.18 mm 0.23 mm	L	I 535 1	1	1		
		L	I 535 2			1	1
1D	Fluid Head Nozzle Base	J	I 535 1A	1	1	1	1
1C	Fluid Head-Noz. 0.18 mm 0.23 mm	H	I 535 1B	1	1		
		H	I 535 2B			1	1
1B	Fluid Head-Nozzle Cap	D	I 535 1C	1	1		
		D	I 535 2C			1	1
1A	Fluid Head-Needle Crown Cap	D	I 535 1D	1	1	1	1
10	Fluid Needle 0.18 mm 0.23 mm	E	I 540 1	1	1		
		E	I 540 2			1	1
13	Main Lever	F	I 545 1	1	1	1	1
7	Needle Chucking Guide	E	I 550 1	1	1	1	1
18	Needle Chucking Guide Screw	B	I 555 1	1	1	1	1

#	ITEM DESCRIPTION	PRICE CODE	ITEM #	CM B	CM SB	CM C	CM C+
11	Needle Chucking Nut	B	I 560 1	1	1	1	1
5	Needle Packing Screw	C	I 565 1	1	1	1	
8	Needle Spring	B	I 570 1	1	1	1	1
9	Needle Spring Adjuster	E	I 575 1	1	1	1	1
16	Packing Air Piston (O-ring, 2pcs)	B	I 580 1	1	1	1	1
2	Packing Fluid Head (O-ring)	C	I 580 2	1	1	1	1
4	Packing Fluid Needle (O-ring)	B	I 580 3	1	1	1	1
12	Pre-set Handle Set	H	I 585 1	1	1	1	Opt
	Spanner (nozzle wrench)	B	I 165 1	1	1	1	1
6	Spring Guide	E	I 590 1	1	1	1	1
21	Fluid Cup (1/8 oz.)	G	I 070 3		1		
21	Fluid Cup (1/4 oz.)	G	I 070 4		1		
23	Lower Lid	B	I 095 6		1		
	Lid (1/4 oz.)	C	I 095 7		1		
22	Packing Lower Lid (Gasket)	A	I 150 5		1		
	Quick Fit Set (QD and Adaptor)	H	I 160 1	Opt	Opt	Opt	Opt
	Quick Fit Adaptor (Adaptor only)	C	I 160 2	Opt	Opt	Opt	Opt
	Adaptor (Iwata airbrushes to Paasche airhose)		J 001	Opt	Opt	Opt	Opt
	Adaptor (Iwata airbrushes to T & C/Badger airhoses)		J 002	Opt	Opt	Opt	Opt