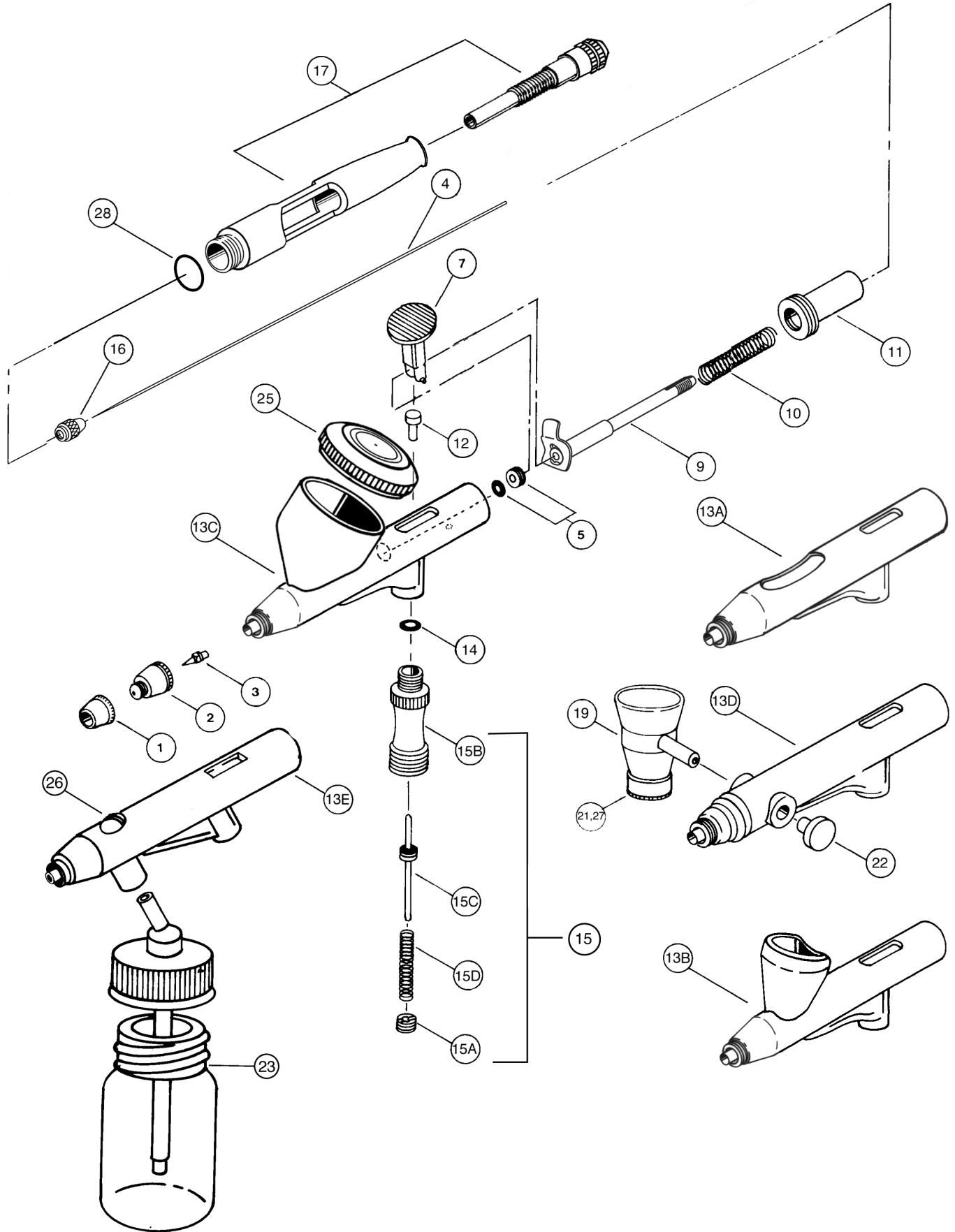


IWATA HIGH PERFORMANCE Plus - A, B, SB, C, BC, BC2 PARTS



IWATA HIGH PERFORMANCE Plus- A, B, SB, C, BC, BC2 PARTS

#	ITEM DESCRIPTION	PRICE CODE	ITEM #	HP A+	HP B+	HP SB+	HP C+	HP BC+	also fits
1	Needle Cap	B	I 110 1	1	1	1			HP/Hi
		B	I 110 2				1	1	HP/Hi
2	Nozzle Cap 0.2mm 0.3mm	D	I 140 1	1	1	1			HP/Hi
		D	I 140 3				1	1	HP/Hi
3	Fluid Nozzle 0.2 mm 0.3 mm	G	I 080 7	1	1	1			Hi
		G	I 080 8				1	1	Hi
4	Fluid Needle 0.2 mm 0.3 mm	C	I 075 1	1	1	1			HP/Hi
		C	I 075 3				1	1	HP/Hi
5	Needle Packing Screw w/Teflon™ packing	B	I 125 7	1	1	1			
		B	I 725 1				1	1	REV
7	Main Lever Main Lever/Piston	D	I 100 1	1	1	1			HP
		D	I 100 2				1		HP/Hi
		G	I 100 3					1	HP
9	Needle Chucking Guide w/auxiliary lever	C	I 115 7	1	1	1			
		C	I 715 1				1	1	Hi/REV
10	Needle Spring	A	I 135 2	1	1	1			HP/Hi/ECL
		A	I 135 3				1	1	HP
11	Spring Guide	C	I 170 6	1	1	1			
		C	I 770 1				1	1	Hi/REV
12	Valve Piston	A	I 175 1	1	1	1	1		HP/Hi
13	Body			1					
					1				
						1			
							1		
14	Packing Air Piston (O-ring)	A	I 145 1	1	1	1	1		HP/Hi
15	Air Valve Set	G	I 030 1	1	1	1			HP/Hi
		G	I 030 4				1	1	HP/Hi
15A	Air Valve Guide	A	I 025 1	1	1	1	1		HP/Hi
15B	Air Valve Body	D	I 020 1	1	1	1	1		HP/Hi
15C	Air Valve	B	I 015 1	1	1	1			HP/Hi
		B	I 015 4				1	1	HP/Hi
15D	Air Valve Spring	A	I 035 1	1	1	1	1		HP/Hi
16	Needle Chucking Nut	A	I 120 1	1	1	1	1		HP/Hi
17	Pre-Set Handle Set	G	I 155 5	1	1	1			HP
		G	I 155 6				1	1	HP/Hi

#	ITEM DESCRIPTION	PRICE CODE	ITEM #	HP A+	HP B+	HP SB+	HP C+	HP BC+	also fits
19	Fluid Cup side cup 1/8 oz. side cup w/lid 1/4 oz. gravity cup w/lid 1/2 oz.	G	I 070 3			1			CM/HP/ECL
		G	I 070 4			Opt			CM/HP/ECL
			I 070 6			Opt			CM/HP/ECL
21	Lid lower 1/8, 1/4 oz.	B	I 095 6			1			CM/HP/ECL
22	Blanking Cover	A	I 045 2			1			CM/HP/ECL
23	Glass Bottles 3/4 oz. 1 1/2 oz.	G	I 405 2					1	HP
		G	I 420 2					Opt	HP
25	Fluid Cup Lid	C	I 618 1					1	HP/Hi
		C	I 095 7			Opt			CM/HP/ECL
26	Blanking Screw	B	I 045 1					1	HP
27	Packing Lower Lid (gasket)	A	I 150 5			1			CM/HP/ECL
	Spanner	A	I 165 1	1	1	1	1	1	HP/Hi
	Conversion Kit (Converts 0.3mm HP- C & HP- BC to 0.4mm size nozzle - 4 piece conversion)	I	I 195 1					1	1
	Crown Cap	D	I 105 0	Opt	Opt	Opt	Opt	Opt	
	Quick Fit Set (quick disconnect that screws onto the airhose and an adaptor that screws onto the airbrush)		I 160 3	Opt	Opt	Opt	Opt	Opt	
	Quick Fit Adaptor (adaptor that screws onto the airbrush)		I 160 4	Opt	Opt	Opt	Opt	Opt	
	Adaptor (Iwata airbrushes to Paasche airhose)		J 001	Opt	Opt	Opt	Opt	Opt	
	Adaptor (Iwata airbrushes to T & C/Badger airhoses)		J 002	Opt	Opt	Opt	Opt	Opt	
	Side Feed Bottles side feed bottle 1oz-clear side feed bottle 2oz-clear side feed bottle 2oz-HS side feed bottle 2oz-HS		I 450 1S			Opt			CM/HP/ECL
			I 450 2S			Opt			CM/HP/ECL
			I 470 1S			Opt			CM/HP/ECL
			I 470 2S			Opt			CM/HP/ECL