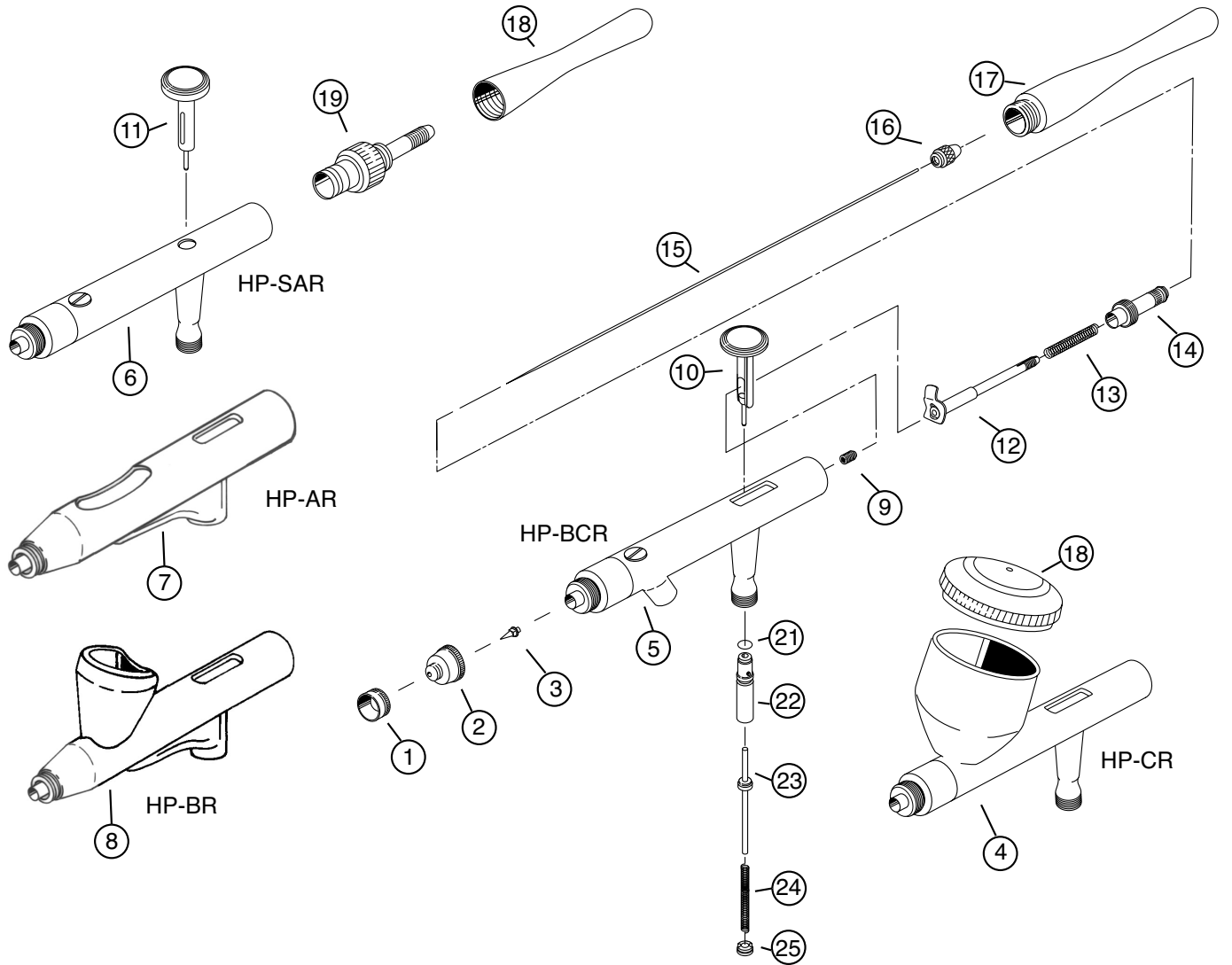


IWATA Revolution AR, BR, BCR, CR & SAR PARTS



| # | ITEM DESCRIPTION | PRICE CODE | ITEM # | AR | BR | BCR | CR | SAR | ALSO FITS |
|----|--|------------|---------|----|----|-----|----|-----|-----------|
| 1 | Needle Cap | A | I 701 1 | | | | | | |
| | Needle Cap | A | I 701 2 | • | • | | | | |
| 2 | Nozzle Cap | C | I 702 1 | | | | | | |
| | Nozzle Cap | C | I 702 2 | • | • | | | | |
| 3 | Nozzle (0.5-MM) | E | I 704 1 | | | | | | |
| | Nozzle (0.35-MM) | E | I 704 2 | • | • | | | | |
| 4 | Body HP-CR | J | I 706 2 | | | | | | |
| 5 | Body HP-BCR | J | I 706 1 | | | | | | |
| 6 | Body HP-SAR | J | I 706 3 | | | | | | |
| 7 | Body HP-AR | J | | • | | | | | |
| 8 | Body HP-BR | J | | | • | | | | |
| 9 | Needle Packing Screw | B | I 725 1 | | | | | | |
| | Needle Packing Screw | B | I 125 7 | • | • | | | | |
| 10 | Main Lever | C | I 612 1 | • | • | | | | |
| 11 | Main Lever | C | I 612 2 | | | | | • | |
| 12 | Needle Chucking Guide with Auxillary Lever | C | I 715 1 | | | | | | |
| | Needle Chucking Guide | C | I 115 7 | • | • | | | | |
| 13 | Needle Spring | A | I 135 1 | • | • | | | | HP-BS |
| 14 | Spring Guide | A | I 770 1 | • | • | | | | |

| # | ITEM DESCRIPTION | PRICE CODE | ITEM # | AR | BR | BCR | CR | SAR | ALSO FITS |
|----|-------------------------------|------------|---------|-----|-----|-----|-----|-----|-----------|
| 15 | Needle | B | I 717 1 | | | | | | HP-BCS |
| | Needle | B | I 717 3 | • | • | | | | |
| 16 | Needle Chuck Nut | A | I 120 2 | • | • | | | | HP-B, A |
| 17 | Handle | D | I 719 1 | • | • | | | | |
| 18 | Handle | D | I 719 2 | | | | | | |
| 19 | Fluid Adjustment Knob | D | I 722 1 | | | | | | |
| 20 | Lid | C | I 718 1 | | | | | | |
| 21 | Packing Valve Piston (O-Ring) | B | I 580 1 | • | • | | | | HP-BCS |
| 22 | Valve Guide with O-Ring | B | I 608 1 | • | • | | | | HP-BCS |
| 23 | Valve with O-Ring | A | I 609 1 | • | • | | | | HP-BCS |
| 24 | Valve Spring | A | I 035 1 | • | • | | | | HP-BCS |
| 25 | Valve Guide Screw | B | I 711 1 | • | • | | | | |
| | Spanner | A | I 765 1 | • | • | | | | |
| | Pre Set Handle | G | I 155 2 | Opt | Opt | Opt | Opt | | |
| | Crown Cap | D | I 105 0 | Opt | Opt | Opt | Opt | Opt | |
| | Glass Bottles | | | | | | | | |
| | 3/4 oz. | G | I 405 2 | | | Opt | | Opt | |
| | 1-1/2 oz. | G | I 420 2 | | | Opt | | Opt | |